

- SK1700 - 1.70x1.70 m
- SN2050 - 2.05x2.05 m
-

H=Altezza sotto gancio
H=Height under hook
H=Hauteur sous crochet



Torre/Reazioni | Masts/Reactions | Mat/Réactions | Maste/Eckdrücke | Mástil/Reacciones | Tramo/Reacções

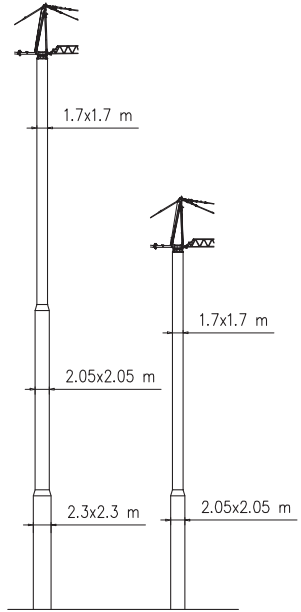
SK1700

35 m → 60 m

		Torre/Masts/Mat/Maste/Mástil/Tramo													
TRO	H[m]	4f/4f BF117	4f/4f BF052	4f/4f BF039	4f/2f SB117	4f/2f SB052	4f/2f SB039	2f/2f ST117	2f/2f ST052	2f/2f ST039	2f/2f STB117	2f/2f STB039	2f/2f RAO39	4f/2f SBB039	4f/2f SBB117
	52	1	1		1			2							
	55.9	2			1			1	1	1					
TTD	52		3						6						
	46.8	1			1			2							
	35.1							3							
	55.9	2			1			1	1	1					
	59.9		4									7	1	1	
	50.7	1										6	1		1

		Torre/Masts/Mat/Maste/Mástil/Tramo													
CAF	H[m]	4f/4f BF117	4f/4f BF052	4f/4f BF039	4f/2f SB117	4f/2f SB052	4f/2f SB039	2f/2f ST117	2f/2f ST052	2f/2f ST039	2f/2f STB117	2f/2f STB039	2f/2f RAO39	4f/2f SBB039	4f/2f SBB117
	55.8	1			1			2		1					
	50.7							4		1					
	59.8	1			1			2	2						
	40.3							3							
	57.2		3			1			6						
	40.3												7	1	1
	59.8												12	1	1
	59.8	1											7	1	1

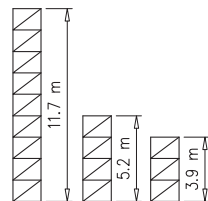
		Torre/Masts/Mat/Maste/Mástil/Tramo													
CATR	H[m]	4f/4f BF117	4f/4f BF052	4f/4f BF039	4f/2f SB117	4f/2f SB052	4f/2f SB039	2f/2f ST117	2f/2f ST052	2f/2f ST039	2f/2f STB117	2f/2f STB039	2f/2f RAO39	4f/2f SBB039	4f/2f SBB117
	52							4							
	52								9						
	40.3							3							
	45.5							3	1						
CATC	33.8	1	1		1										
	52	1										5	1		1
	52											8	1		1
	50.7											11	1		



H=0-45 m		H=46-60 m	
R1	89 t	R1	106 t
R2	88 t	R2	106 t
R3	74 t	R3	95 t
M	194 tm	M	336 tm

Peso zavorra | Ballast weight | Poids du lest | Ballastgewicht | Peso de lastre

	H	Tot.
	0-35 m	60800 kg
	36-45 m	72000 kg
	46-60 m	116750 kg



Torre/Reazioni | Masts/Reactions | Mat/Réactions | Maste/Eckdrücke | Mástil/Reacciones | Tramo/Reacções

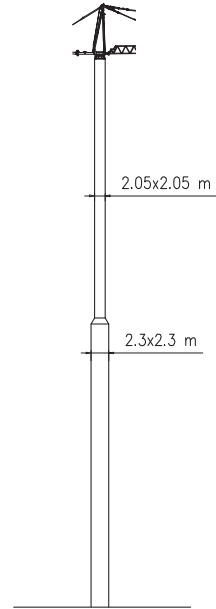
SN2050

35 m → 60 m

		Torre/Masts/Mat/Maste/Mástil/Tramo														
		H[m]	4f/4f BF117	4f/4f BF052	4f/4f BF039	4f/2f SB117	4f/2f SB052	4f/2f SB039	2f/2f ST117	2f/2f ST052	2f/2f ST039	2f/2f STB117	2f/2f STB039	2f/2f RA039	4f/2f SBB039	4f/2f SBB117
TRO		62.4	2			1			2		1					
		61.1	1	1		1			2	1	1					
TTD		61.1		4			1			6	1					
		46.8							4							
		52	1	1		1			2							
		62.4			3									10	1	1
		62.4	1											9	1	1
		62.4	1										11	1	1	

		Torre/Masts/Mat/Maste/Mástil/Tramo															
		H[m]	4f/4f BF117	4f/4f BF052	4f/4f BF039	4f/2f SB117	4f/2f SB052	4f/2f SB039	2f/2f ST117	2f/2f ST052	2f/2f ST039	2f/2f STB117	2f/2f STB039	2f/2f RA039	4f/2f SBB039	4f/2f SBB117	
CAF		63.7	1			1			3								
		67.6	2			1			2								
		67.6		4				1			7						
		50.7		1						3							
		52					1			3							
*		65		3			1						9	1			
*		63.7	1										8	1		1	
*		65.3	1				1						10	1			

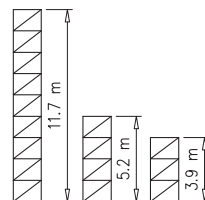
		Torre/Masts/Mat/Maste/Mástil/Tramo														
		H[m]	4f/4f BF117	4f/4f BF052	4f/4f BF039	4f/2f SB117	4f/2f SB052	4f/2f SB039	2f/2f ST117	2f/2f ST052	2f/2f ST039	2f/2f STB117	2f/2f STB039	2f/2f RA039	4f/2f SBB039	4f/2f SBB117
CATR		59.8	1						2		2					
		59.8		3				1		5	2					
CATC		45.5							3							
		49.4		1							9					
		32.5				1			1		1					
*		59.8		3									8	1	1	
*		59.8	1										9	1	1	
*		59.8	1										7	1	1	



H=0-45 m		H=46-68 m	
R1	125 t	R1	140 t
R2	130 t	R2	144 t
R3	95 t	R3	103 t
M	486 tm	M	570 tm

Peso zavorra | Ballast weight
Poids du lest | Ballastgewicht
Peso de lastre

	H	Tot.
	0-55 m	102320 kg
	56-68 m	112460 kg



Curve di carico | Courbes de charges | Load diagrams | LastKurven | Curvas de cargas

Pmax 4000 kg

	22000 kg	60 m	3.5	22	24	28	30	32	34	36	38	40	42	44	46	48	50	52	54	56	58	60	m
			4000	4000	3780	3180	2940	2720	2540	2370	2220	2090	1970	1860	1760	1670	1580	1500	1430	1360	1300	1200	kg
	22000 kg	58 m	3.5	22	24	28	30	32	34	36	38	40	42	44	46	48	50	52	54	56	58	m	
			4000	4000	3780	3180	2940	2720	2540	2370	2220	2090	1970	1860	1760	1670	1580	1500	1430	1360	1300	kg	
	22000 kg	55 m	3.5	26	28	30	32	34	36	38	40	42	44	46	48	50	52	54	55	m			
			4000	4000	3580	3310	3080	2870	2680	2520	2370	2240	2110	2000	1900	1810	1720	1640	1600	kg			
	19560 kg	50 m	3.5	30	32	34	36	38	40	42	44	46	48	50	m								
			4000	4000	3690	3450	3230	3040	2860	2710	2560	2430	2310	2200	kg								
	17115 kg	44 m	3.5	30	32	34	36	38	40	42	44	m											
			4000	4000	3610	3370	3160	2970	2800	2640	2500	kg											

Pmax 8000/4000 kg

	22000 kg	60 m	3.5	13	16	20	24	28	30	32	34	36	38	40	42	44	46	48	50	52	54	56	58	60	m
			8000	8000	5900	4630	3780	3180	2940	2720	2540	2370	2220	2090	1970	1860	1760	1670	1580	1500	1430	1360	1300	1200	kg
	22000 kg	58 m	3.5	13	16	20	22	24	28	30	32	34	36	38	40	42	44	46	48	50	52	54	56	58	m
			8000	8000	5900	4630	4000	3780	3180	2940	2720	2540	2370	2220	2090	1970	1860	1760	1670	1580	1500	1430	1360	1300	kg
	22000 kg	55 m	3.5	14	16	20	24	28	30	32	34	36	38	40	42	44	46	48	50	52	54	55	m		
			8000	8000	6600	5190	4250	3580	3310	3080	2870	2680	2520	2370	2240	2110	2000	1900	1810	1720	1640	1600	kg		
	19560 kg	50 m	3.5	16	20	24	28	30	32	34	36	38	40	42	44	46	48	50	m						
			8000	8000	6180	5070	4280	3970	3690	3450	3230	3040	2860	2710	2560	2430	2310	2200	kg						
	17115 kg	44 m	3.5	16	20	24	28	30	32	34	36	38	40	42	44	m									
			8000	8000	6040	4960	4190	3880	3610	3370	3160	2970	2800	2640	2500	kg									

Pmax 6000 kg

	22000 kg	60 m	3.5	16	20	24	28	30	32	34	36	38	40	42	44	46	48	50	52	54	56	58	60	m
			6000	6000	4630	3780	3180	2940	2720	2540	2370	2220	2090	1970	1860	1760	1670	1580	1500	1430	1360	1300	1200	kg
	22000 kg	58 m	3.5	16	20	22	24	28	30	32	34	36	38	40	42	44	46	48	50	52	54	56	58	m
			6000	6000	4630	4000	3780	3180	2940	2720	2540	2370	2220	2090	1970	1860	1760	1670	1580	1500	1430	1360	1300	kg
	22000 kg	55 m	3.5	18	20	24	28	30	32	34	36	38	40	42	44	46	48	50	52	54	55	m		
			6000	6000	5190	4250	3580	3310	3080	2870	2680	2520	2370	2240	2110	2000	1900	1810	1720	1640	1600	kg		
	19560 kg	50 m	3.5	22	24	28	30	32	34	36	38	40	42	44	46	48	50	m						
			6000	6000	5070	4280	3970	3690	3450	3230	3040	2860	2710	2560	2430	2310	2200	kg						

Pmax 6000/3000 kg

	22000 kg	60 m	3.5	16	20	24	28	30	32	34	36	38	40	42	44	46	48	50	52	54	56	58	60	m
			8000	6000	4630	3780	3180	2940	2720	2540	2370	2220	2090	1970	1860	1760	1670	1580	1500	1430	1360	1300	1200	kg
	22000 kg	58 m	3.5	16	20	22	24	28	30	32	34	36	38	40	42	44	46	48	50	52	54	56	58	m
			8000	6000	4630	4000	3780	3180	2940	2720	2540	2370	2220	2090	1970	1860	1760	1670	1580	1500	1430	1360	1300	kg
	22000 kg	55 m	3.5	18	20	24	28	30	32	34	36	38	40	42	44	46	48	50	52	54	55	m		
			8000	6000	5190	4250	3580	3310	3080	2870	2680	2520	2370	2240	2110	2000	1900	1810	1720	1640	1600	kg		
	19560 kg	50 m	3.5	22	24	28	30	32	34	36	38	40	42	44	46	48	50	m						
			8000	6000	5070	4280	3970	3690	3450	3230	3040	2860	2710	2560	2430	2310	2200	kg						

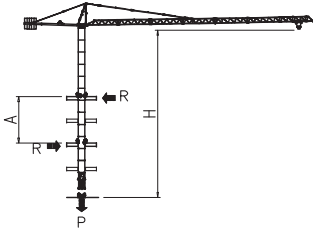
Pesi e ingombri | Packing list | Liste de colisage | Gewicht und abmessungen

Denominazione Description	Disegno Draw	Pezzi Pieces	Dimensioni-Dimensions (mm)			Peso-Weight (kg)		
			L	W	H	Unit	Total	
Elemento di braccio Jib element Élément deèche Elemento de flecha	n°1		1	5750	1400	1490	810	-
	n°2		1	5860	1400	1470	790	-
	n°3		1	5860	1400	1470	835	-
	n°4		1	5860	1400	1470	670	-
	n°5		1	5860	1400	1470	680	-
	n°5/A		1	1660	1400	1470	250	-
	n°6		1	5850	1400	1470	750	-
	n°7		1	5820	1400	1470	575	-
	n°8		1	5820	1400	1470	520	-
	n°9		1	5740	1400	1450	415	-
	n°10		1	2940	1400	1450	250	-
n°11		1	5770	1400	1450	450	-	
Tirante completo Complete tie rod Tirant complète Tirante completo		9	6500	200	200	240	2160	
Tirante completo Tie rod Tirant complète Tirante completo		1	6800	1500	1000	1550	-	
Contorbraccio completo Complete counterjib Contrefleche complète Contraflecha completa		1	8500	1650	600	1350	-	
Gruppo girevole Slewing group Table tournante Grupo giratorio		SK1700	1	5100	1810	1400	4100	-
		SN2050	1	5100	1810	1400	4300	-
Carrello Trolley Chariot Carretilla		1	1900	1620	1000	400	-	
Ballatoio con cabina Access balcony with cabin Porte cabine Balcón corrido con cabina		1	2500	2150	2450	1000	-	
Blocchi contrappeso Counterweight block Contre-poids Bloques de contrapeso		VX24	9	1100	280	3400	2445	22000
Elemento di base Base element Mat de base Elemento de base		SK1700	1	5200	2060	2060	3650	-
		SN2050	1	5200	2260	2260	4040	-

Pesi e ingombri | Packing list | Liste de colisage | Gewicht und abmessungen

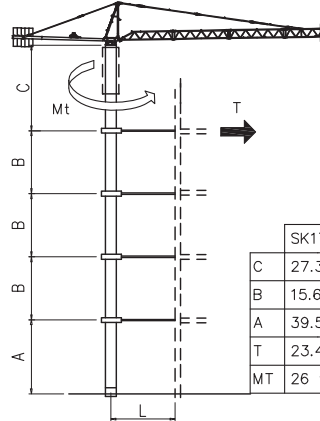
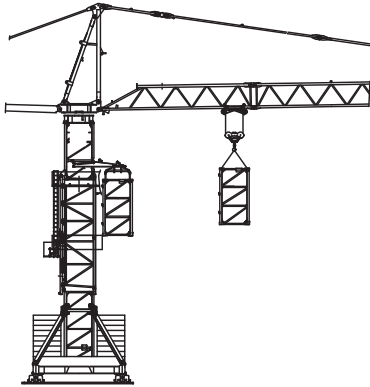
Denominazione Description	Disegno Draw	Pezzi Pieces	Dimensioni-Dimensions (mm)			Peso-Weight (kg)		
			L	W	H	Unit	Total	
Elemento di torre Mast element Élément de mât Elemento de torre	ST039	SK1700	—	3900	1785	1785	1750	—
		SN2050	—	3900	2110	2110	2320	—
	ST052	SK1700	—	5200	1785	1785	2250	—
		SN2050	—	5200	2110	2110	2850	—
	ST117	SK1700	—	11700	1785	1785	4690	—
		SN2050	—	11700	2110	2110	5790	—
	SB039	SK1700	—	3900	1785	1785	2100	—
		SN2050	—	3900	2110	2110	2710	—
	SB052	SK1700	—	5200	1785	1785	2600	—
		SN2050	—	5200	2110	2110	3350	—
	SB117	SK1700	—	11700	1785	1785	4830	—
		SN2050	—	11700	2110	2110	7000	—
BF039	SK1700	—	3900	1785	1785	2450	—	
	SN2050	—	3900	2110	2110	3370	—	
BF052	SK1700	—	5200	1785	1785	3390	—	
	SN2050	—	5200	2110	2110	3880	—	
BF117	SK1700	—	11700	1785	1785	6920	—	
	SN2050	—	11700	2110	2110	8180	—	
Carro di base Base carriage Chassis de base Cruceta de base		4,5x4,5	1	6670	670	780	2040	2040
		5x5	1	7550	670	780	2300	2300
		6x6	1	8870	670	780	2500	2500
		4,5x4,5	2	3180	420	780	980	1960
		5x5	2	3530	420	780	1060	2120
		6x6	2	4320	420	780	1200	2400
Puntoni di base Rafter Jambes de force Cabrios de base		4,5x4,5	4	4070	240	300	270	1080
		5x5	4	4250	240	300	280	1120
		6x6	4	4560	420	300	420	1680
Elemento a perdere Disposable frame Chassis a perdre Bastidor desechable		SK1700	1	1840	1910	1910	1430	—
		SN2050	1	2600	2260	2260	2030	—
Elemento recuperabile Recoverable frame Chassis récupérable Bastidor recuperable		SK1700	1	1300	2170	2170	1720	—
		SN2050	1	1300	2620	2620	1860	—
Bogie di traslazione Driven bogie Boggie motorisèe Balancin de traslaciòn		4	1160	700	600	700	2800	
Blocco zavorra di base Base ballast block Lest de base Bloque de lastre		4,5x4,5	2	5000	750	600	5175	10350
		5x5	2	5300	1000	600	7300	14600
		6x6	2	6400	1200	600	10600	21200
		4,5x4,5	—	3600	1450	300	2800	—
		5x5	—	4100	1600	300	3500	—
		6x6	—	4800	2000	300	5070	—
Corso di montaggio Climbing cage Cage de montage Jaula de montaje		SK1700	1	8300	2600	2500	6000	—
		SN2050	1	8300	2900	2700	6700	—

Gru in cavedio | Télescopage sur dalles | Climbing crane | Kletterkrane im Gebäude



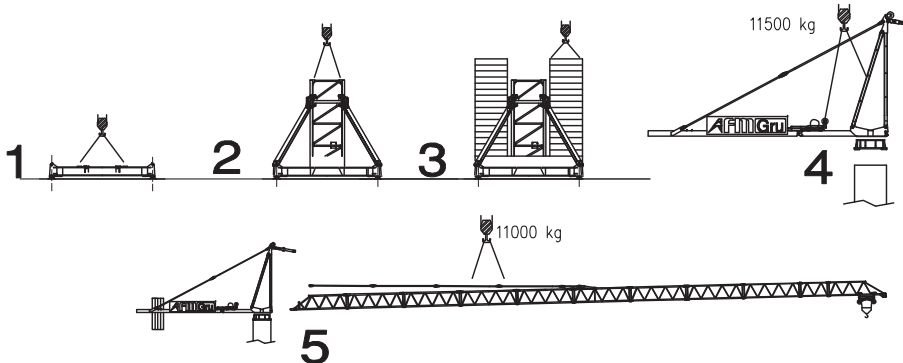
SN2050	H (m)	A (m)	R (m)	P (t)
	9	9	45.3	
	10	10	42	
	11	11	39.3	
	12	12	37	
	13	13	35	
	14	14	33.4	
	15	15	32	
	16	16	30.7	
	17	17	29.6	
	18	18	28.6	
<p>Apertura passaggio gru Opening for crane passing</p>	19	19	27.8	
	20	20	27	

Sopralzo idraulico | Telescopic | External climbing | Kletterkrane



	SK1700	SN2050
C	27.3 m	31.2 m
B	15.6 m	19.5 m
A	39.5 m	50 m
T	23.4 m	27.5 m
MT	26 txm	26 txm

Montaggio | Montage | Erection | Montage | Montaje | Montagem



Meccanismi | Mechanisms | Mécanismes | Antriebe | Mecanismos

Sollevamento V25.60 Hoisting Levage Heben Elevaciòn Elevaço							 	V25.60 18.4 kW 37 kVA 270 m 500 m (L)		
	m/min	7	18	28	42	56			65	
	t	3	3	3	2.25	1.5	0.9			
	m/min	3.5	9	14	21	28	32.5			
	t	6	6	6	4.5	3	1.8			
Sollevamento V33.60 Hoisting Levage Heben Elevaciòn Elevaço							 	V33.60 24 kW 40 kVA 260 m		
	m/min	2.5	15	27	43	56			71	
	t	4	4	4	2.5	1.7	0.8			
	m/min	1.2	7.5	13.5	21.5	28	35.5			
	t	8	8	8	5	3.4	1.6			
Sollevamento V33.90 Hoisting Levage Heben Elevaciòn Elevaço							 	V33.90 22 kW 47 kVA 380 m		
	m/min	3	18	34	54	70			90	
	t	3	3	3	1.8	1.3	0.5			
	m/min	1.5	9	17	27	35	45			
	t	6	6	6	3.6	2.6	1			
Sollevamento V45.60 Hoisting Levage Heben Elevaciòn Elevaço							 72 45 22 1 2 3 4 5 6 t	V45.60 33 kW 57 kVA 270 m 500 m (L)		
	m/min	3	14	30	45	60			72	
	t	6	6	6	3.5	2.4			1.4	
Carrello Trolleying Distribution Katzfahren Distribución Distribuição							0 → 85	m/min	3.6 kW	Potenza elettrica necessaria Puissance électrique nécessaire Necessary electric power Anschlusswert - Potencia
							0 → 0,9	giri/min tr/min rp/min	4.4 kW @ 1200rpm n° 2 x 2.2 kW	
							0 → 20	m/min	7.5 kW	

Rete elettrica | Réseau | Mains supply | Netzstrom | Red | Rede electrica

400 V - 50 Hz